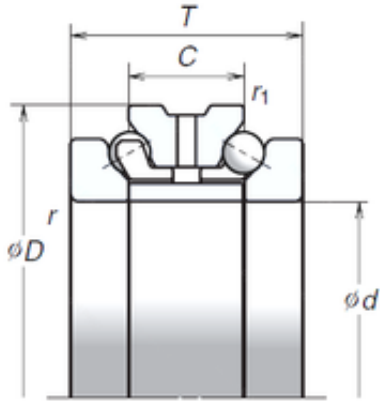




JieFei Bearing Co., Ltd

NSK 280TAC29D+L thrust ball bearings



Bearing No. 280TAC29D+L

Size	280x380x120 mm
Bore Diameter	280 mm
Outer Diameter	380 mm
Width	120 mm
d	280 mm
D	380 mm
T	120 mm
C	60 mm
Angle ()	60 °
r min.	2,1 mm
r1 min.	1,1 mm
Da	364 mm
ra max.	2 mm
rb max.	1 mm
da	320 mm
Weight	33,5 Kg
Basic dynamic load rating (C)	320 kN
Basic static load rating (C0)	1 470 kN
(Grease) Lubrication Speed	1 400 r/min

280TAC29D+L Bearing 2D drawings and 3D CAD models