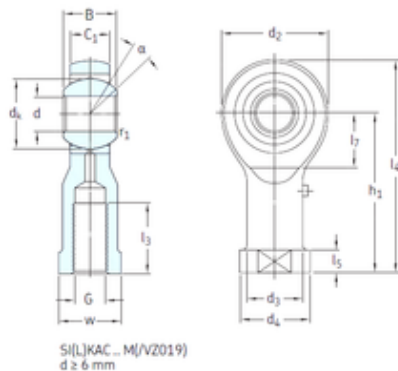




# JieFei Bearing Co., Ltd

## SKF SIKAC25M plain bearings



SIKAC25M Bearing 2D drawings and 3D CAD models

Bearing No. SIKAC25M

Bore Diameter	25 mm
d	25 mm
d2	61 mm
d3	33,5 mm
d4 max.	44 mm
dk	42,8 mm
h1	94 mm
l3 min.	36 mm
l4 max.	127 mm
l5	12 mm
l7 min.	30 mm
r1 min.	0,3 mm
B	31 mm
C1	23 mm
w	36 Tolerance h14
Thread (G)	M24x2 Tolerance 6H
Angle	15 °
Weight	0,65 Kg
Basic dynamic load rating (C)	47,5 kN