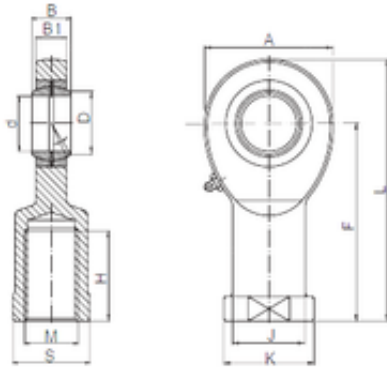




JieFei Bearing Co., Ltd

18 mm x 21,8 mm x 23 mm ISO SI 18 plain bearings



Bearing No. SI 18

Bore Diameter	18 mm
d	18 mm
B	23 mm
A	46 mm
B1	16,5 mm
D	21,8 mm
F	71 mm
H	32 mm
J	25 mm
K	31 mm
L	94 mm
S	27 mm
Bolt (G)	M18x1,5

SI 18 Bearing 2D drawings and 3D CAD models