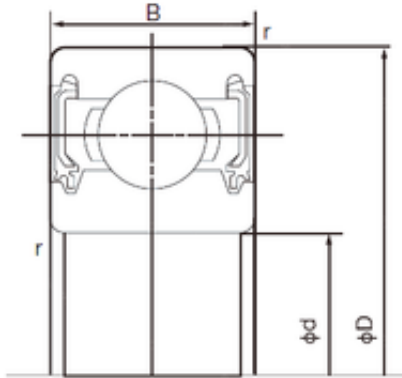




JieFei Bearing Co., Ltd

40 mm x 80 mm x 18 mm NACHI 6208-2NKE
deep groove ball bearings



Bearing No. 6208-2NKE

6208-2NKE Bearing 2D drawings and 3D CAD models

Size	40x80x18 mm
Bore Diameter	40 mm
Outer Diameter	80 mm
Width	18 mm
d	40 mm
D	80 mm
B	18 mm
C	18 mm
r min.	1.1 mm
da min.	47 mm
Da max.	73 mm
ra max.	1.0 mm
Weight	0.366 Kg
Basic dynamic load rating (C)	29,1 kN
Basic static load rating (C0)	17,9 kN
Category	Single Row Ball Bearings
Inventory	0.0
Manufacturer Name	NACHI
Minimum Buy Quantity	N/A
Weight / Kilogram	0
Product Group	B00308
Enclosure	2 Seals
Precision Class	ABEC 1 ISO P0
Maximum Capacity / Filling Slot	No



JieFei Bearing Co., Ltd

Rolling Element	Ball Bearing
Snap Ring	No
Internal Special Features	No
Cage Material	Steel
Enclosure Type	Non-Contact Seal
Internal Clearance	C0-Medium
Inch - Metric	Metric
Long Description	40MM Bore; 80MM Outside Diameter; 18MM Outer Race Width; 2 Seals; Ball Bearing; ABEC 1 ISO P0; No Filling Slot; No Snap Ring; No Internal Special Features; C0-Medium Internal Clearance; Steel Cage;
Other Features	Deep Groove Labyrinth Seal
Category	Single Row Ball Bearing
UNSPSC	31171504
Harmonized Tariff Code	8482.10.50.68
Noun	Bearing
Keyword String	Ball
Manufacturer URL	http://www.nachiamerica.com
Weight / LBS	0.807
Outside Diameter	3.15 Inch 80 Millimeter
Bore	1.575 Inch 40 Millimeter
Outer Race Width	0.709 Inch 18 Millimeter
Inner Race Width	0 Inch 0 Millimeter