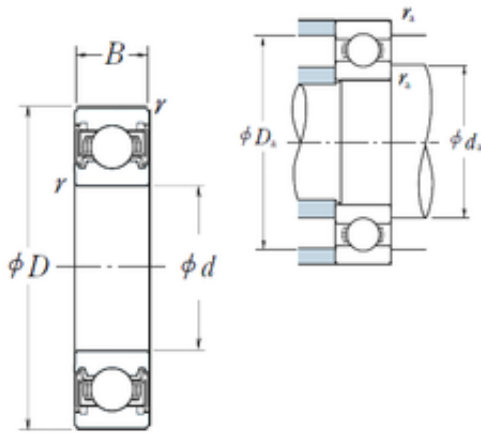




JieFei Bearing Co., Ltd



105 mm x 145 mm x 20 mm NSK 6921VV deep groove ball bearings

Bearing No. 6921VV

6921VV Bearing 2D drawings and 3D CAD models

Size	105x145x20 mm
Bore Diameter	105 mm
Outer Diameter	145 mm
Width	20 mm
d	105 mm
D	145 mm
B	20 mm
C	20 mm
r min.	1,1 mm
da min.	111,5 mm
da max	116 mm
Da max.	138,5 mm
ra max.	1 mm
Weight	0,856 Kg
Basic dynamic load rating (C)	42,5 kN
Basic static load rating (C0)	42 kN
(Grease) Lubrication Speed	4 300 r/min
Category	Single Row Ball Bearings
Inventory	0.0
Manufacturer Name	NSK
Minimum Buy Quantity	N/A
Weight / Kilogram	0.86
EAN	0029176765537
Product Group	B00308
Enclosure	2 Seals



JieFei Bearing Co., Ltd

Precision Class	ABEC 1 ISO P0
Maximum Capacity / Filling Slot	No
Rolling Element	Ball Bearing
Snap Ring	No
Internal Special Features	No
Cage Material	Steel
Enclosure Type	Non-Contact Seal
Internal Clearance	C0-Medium
Inch - Metric	Metric
Long Description	105MM Bore; 145MM Outside Diameter; 20MM Outer Race Width; 2 Seals; Ball Bearing; ABEC 1 ISO P0; No Filling Slot; No Snap Ring; No Internal Special Features; C0-Medium Internal Clearance; Steel Cage
Other Features	Deep Groove Rubber Seal
Category	Single Row Ball Bearing
UNSPSC	31171504
Harmonized Tariff Code	8482.10.50.68
Noun	Bearing
Keyword String	Ball
Manufacturer URL	http://www.nskamericas.com
Weight / LBS	1.8875
Outside Diameter	5.709 Inch 145 Millimeter
Outer Race Width	0.787 Inch 20 Millimeter
Inner Race Width	0 Inch 0 Millimeter
Bore	4.134 Inch 105 Millimeter
SRI	6.16
hidYobi	6921VV
LangID	1



JieFei Bearing Co., Ltd

D_	145
SREX	0.025
B_	20
da min	111.5
hidTable	ecat_NSRDGB
SRE	6.16
mass	0.856
GRS rpm	4300
ra	1
SRIX	0.025
D_a	138.5
SRIN	-0.025
C0	42
fo	16.5
SREN	-0.025
DE_	136.906
Prod_Type3	DGBB_SR_VV
DA_	11.906
bomp	0
Z_	18
yobi	6921VV
C_conv	42500
ALPHA_	0
SDM_	125
r	1.1
KBRG	6151
SBRG	19
DI_	113.094