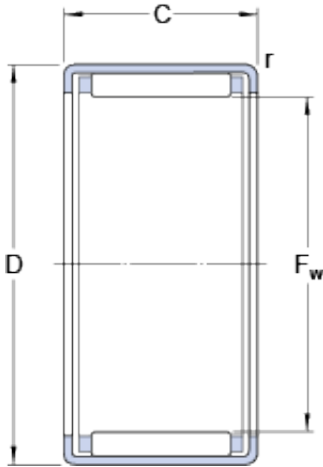




# JieFei Bearing Co., Ltd



HK 0810 Bearing 2D drawings and 3D CAD models

## SKF HK 0810 cylindrical roller bearings

Bearing No. HK 0810

|                                  |                 |
|----------------------------------|-----------------|
| Size                             | 12x8x10 mm      |
| Bore Diameter                    | 12 mm           |
| Outer Diameter                   | 8 mm            |
| Width                            | 10 mm           |
| $F_w$                            | 8 mm            |
| D                                | 12 mm           |
| C                                | 10 mm           |
| r - min.                         | 0.4 mm          |
| Basic dynamic load rating - C    | 3.7 kN          |
| Basic static load rating - $C_0$ | 4 kN            |
| Fatigue load limit - $P_u$       | 0.44 kN         |
| Reference speed                  | 19000 r/min     |
| Limiting speed                   | 22000 r/min     |
| Mass bearing                     | 0.003 kg        |
| Inner ring IR series             | IR 5x8x12       |
| Category                         | Roller Bearings |
| Inventory                        | 0.0             |
| Manufacturer Name                | SKF             |
| Minimum Buy Quantity             | N/A             |
| Weight / Kilogram                | 0.007           |
| EAN                              | 7316577010254   |
| Product Group                    | B04144          |
| bore diameter:                   | 8 mm            |
| static load capacity:            | 4.05 kN         |
| outside diameter:                | 12 mm           |
|                                  |                 |



## JieFei Bearing Co., Ltd

|                                |                     |
|--------------------------------|---------------------|
| bearing material:              | Steel               |
| overall width:                 | 10 mm               |
| maximum rpm:                   | 22000 RPM           |
| drawn cup type:                | Open Ends           |
| precision rating:              | Not Rated           |
| closure type:                  | Open                |
| series:                        | HK                  |
| number of rows:                | One                 |
| lubrication hole type:         | No Hole             |
| operating temperature range:   | Maximum of +285 ° F |
| compatible inner ring:         | IR 5x8x12           |
| dynamic load capacity:         | 3.69 kN             |
| $F_w$                          | 8 mm                |
| r min.                         | 0.4 mm              |
| Basic dynamic load rating C    | 3.69 kN             |
| Basic static load rating $C_0$ | 4.05 kN             |
| Fatigue load limit $P_u$       | 0.44 kN             |
| Designation bearing            | HK 0810             |