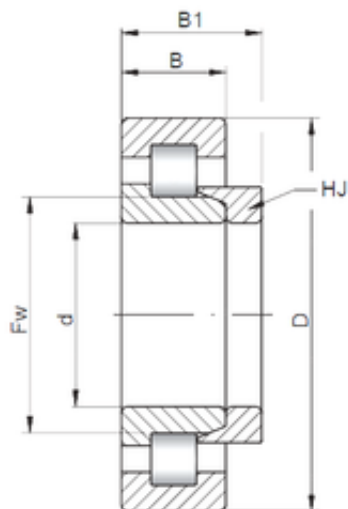




JieFei Bearing Co., Ltd



65 mm x 120 mm x 31 mm ISO NH2213 cylindrical roller bearings

Bearing No. NH2213

| | |
|-------------------|--------------|
| Dimensione | 65x120x31 mm |
| Marchio | ISO |
| Diametro del foro | 65 mm |
| Diametro esterno | 120 mm |
| Larghezza | 31 mm |
| d | 65 mm |
| D | 120 mm |
| B | 31 mm |
| C | 31 mm |
| B1 | 6 mm |
| B2 | 10,5 mm |

NH2213 Bearing 2D drawings and 3D CAD models