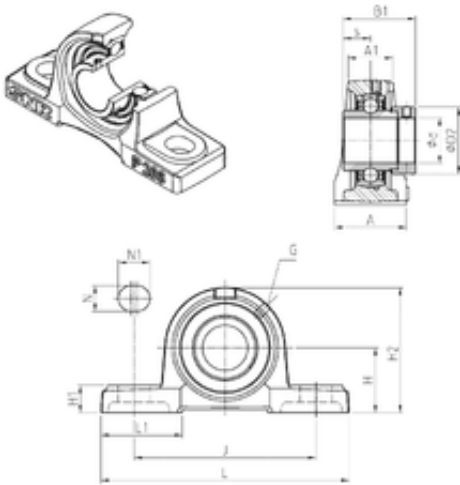




JieFei Bearing Co., Ltd



SNR EXP306 bearing units

Bearing No. EXP306

Bore Diameter	30 mm
d	30 mm
s	17,5 mm
A	50 mm
A1	36 mm
B1	50 mm
D2	50 mm
H	50 mm
H1	18 mm
H2	95 mm
J	140 mm
L	180 mm
L1	54 mm
N	17 mm
N1	20 mm
Thread (G)	M6x1
Weight	2,1 Kg
Basic dynamic load rating (C)	27 kN

EXP306 Bearing 2D drawings and 3D CAD models