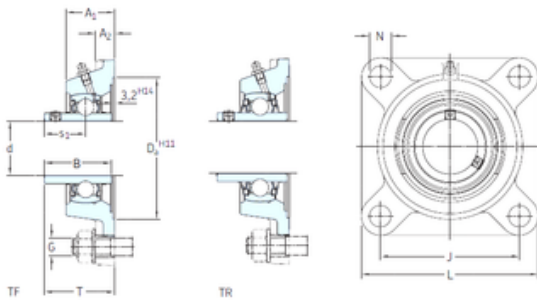




JieFei Bearing Co., Ltd

SKF FYJ 55 TF bearing units



Bearing No. FYJ 55 TF

Bore Diameter	55 mm
d	55 mm
Da	150,8 mm
s1	33,4 mm
A1	43 mm
B	55,6 mm
G	16 mm
J	130 mm
L	162 mm
N	19 mm
T	58,4 mm
A2	20 mm
Weight	3,45 Kg
Basic dynamic load rating (C)	43,6 kN
Basic static load rating (C0)	29 kN
Fatigue load limit (Pu)	1,25
Category	Mounted Units & Inserts
Inventory	0.0
Manufacturer Name	SKF
Minimum Buy Quantity	N/A
Weight / Kilogram	3.285
Product Group	M06110
bore diameter:	55 mm
radial dynamic load capacity:	43.6 kN
bolt center-to-center length:	130 mm

FYJ 55 TF Bearing 2D drawings and 3D CAD models



JieFei Bearing Co., Ltd

radial static load capacity:	29 kN
overall length/diameter:	162 mm
length through bore:	55.6 mm
overall height:	58.4 mm
finish/coating:	Blue Alkyd/Acryl Paint (RAL 5007)
bore type:	Round
bolt size:	19 mm
mounting type:	Four-Bolt Flange
maximum rpm:	3600 rpm
housing material:	Cast Iron
lubrication type:	Lubrication Fitting
locking device:	Set Screw
series:	FYJ
expansion type:	Non-Expansion Bearing (Fixed)
manufacturer product page:	Click here
bearing material:	Steel
manufacturer upc number:	7316571103211
Housing material	Cast iron
D_a	150.8 mm
D_{b1}	130 mm
D_{b2}	130 mm
A	43 mm
A_1	17 mm
A_3	3.2 mm
s_1	33.4 mm
R_G	1/4-28 UNF
R_1	25 mm
D_N	6.5 mm
SW_N	7 mm
G_N	1/4-28 SAE-LT
J_6	148 mm



JieFei Bearing Co., Ltd

J_7	45 mm
N_4	4 mm
Basic dynamic load rating C	43.6 kN
Basic static load rating C_0	29 kN
Fatigue load limit P_u	1.25 kN
Limiting speed	3600 r/min
Mass bearing unit	3.1 kg
Thread grub screw G_2	M10x1
Hexagonal key size for grub screw N	5 mm
Recommended tightening torque for grub screw	16.5 N · m
Recommended diameter for attachment bolts, mm G	16 mm
Recommended diameter for attachment bolts, inch G	0.625 in