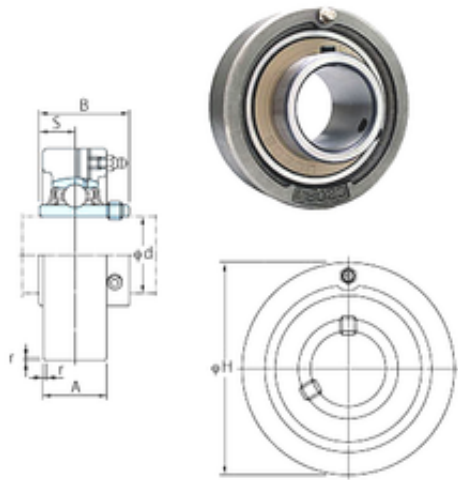




JieFei Bearing Co., Ltd

FYH UCCX09-28 bearing units

Bearing No. UCCX09-28



Bore Diameter	44,45 mm
Width	51,6 mm
d	44,45 mm
r	2 mm
A	38 mm
B	51,6 mm
H	120 mm
S	19 mm
Weight	2,3 Kg
Basic dynamic load rating (C)	35,1 kN
Basic static load rating (C0)	23,3 kN

UCCX09-28 Bearing 2D drawings and 3D CAD models