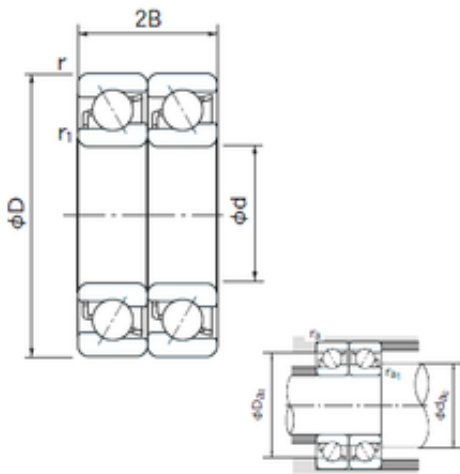




JieFei Bearing Co., Ltd



7308DT Bearing 2D drawings and 3D CAD models

40 mm x 90 mm x 23 mm NACHI 7308DT angular contact ball bearings

Bearing No. 7308DT

Size	40x90x23 mm
Bore Diameter	40 mm
Outer Diameter	90 mm
Width	23 mm
d	40 mm
D	90 mm
B	23 mm
C	23 mm
Angle (°)	30 °
a	7.3 mm
r min.	1.5 mm
r1 min.	1 mm
2B	46 mm
da min.	45 mm
Da max.	84.6 mm
ra max.	1 mm
Weight	0.655 Kg
Basic dynamic load rating (C)	79 kN
Basic static load rating (C0)	66 kN
(Grease) Lubrication Speed	5500 r/min
Bore Type	Cylindrical Bore
Enclosure	Open
Configuration	Duplex
Bore Size	40 mm
Outside Diameter	90 mm



JieFei Bearing Co., Ltd

Width	23 mm
Fillet Radius/Chamfer	1.5 mm
r1	1 mm
Dynamic Load Rating	79,000 N
Static Load Rating	66,000 N
Limiting Speed - Grease	5,500 rpm
Limiting Speed - Oil	7,500 rpm
da1 (min)	49 mm
da2 (min)	45 mm
Da1 (max)	81 mm
Da2 (max)	84.6 mm
ra (max)	1.5 mm
ra1 (max)	1 mm