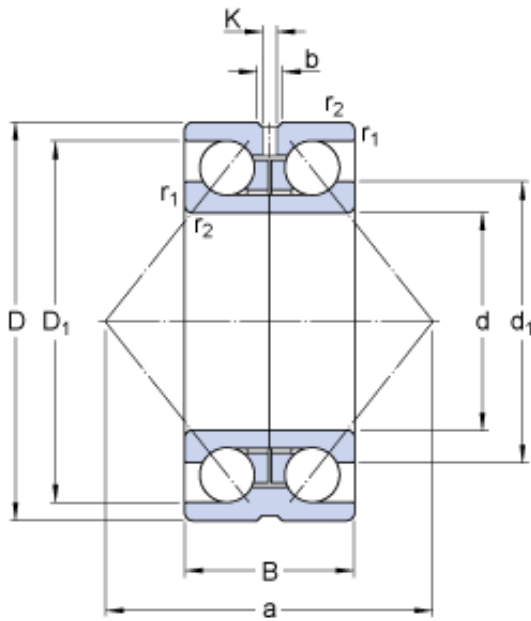




JieFei Bearing Co., Ltd

280 mm x 389.5 mm x 92 mm SKF 305269 D
angular contact ball bearings

Bearing No. 305269 D



305269 D Bearing 2D drawings and 3D CAD models

Size	389.5x280x92 mm
Bore Diameter	389,5 mm
Outer Diameter	280 mm
Width	92 mm
d	280 mm
D	389.5 mm
B	92 mm
d ₁	324.65 mm
D ₁	364.45 mm
b	30 mm
K	9 mm
r _{1,2} - min.	2.1 mm
a	187 mm
d _a - min.	285 mm
D _a - max.	362 mm
r _a - max.	2.1 mm
Basic dynamic load rating - C	403 kN
Basic static load rating - C ₀	750 kN
Fatigue load limit - P _u	18 kN
Reference speed	1300 r/min
Limiting speed	1600 r/min
Calculation factor - k _r	0.095
Calculation factor - e	0.86
Calculation factor - X	0.62



JieFei Bearing Co., Ltd

Calculation factor - Y_0	0.63
Calculation factor - Y_1	0.73
Calculation factor - Y_2	1.17
Category	Angular Contact Ball Bearings
Inventory	0.0
Manufacturer Name	SKF
Minimum Buy Quantity	N/A
Weight / Kilogram	38.18
Product Group	B00152
Enclosure	Open
Flush Ground	No
Rolling Element	Ball Bearing
Number of Rows of Balls	Double Row
Precision Class	ABEC 1 ISO P0
Maximum Capacity / Filling Slot	No
Snap Ring	No
Cage Material	Steel
Internal Clearance	C0-Medium
Number of Bearings	1 (Single)
Inch - Metric	Metric
Long Description	280MM Bore; 389.5MM Outside Diameter; 92MM Width; Open; No Flush Ground; Ball Bearing; Double Row of Balls; ABEC 1 ISO P0; No Filling Slot; No Snap Ring; C0-Medium; Steel Cage; 1 (Single)
Other Features	Two Piece Bearing
Category	Angular Contact Ball Bearing
UNSPSC	31171531



JieFei Bearing Co., Ltd

Harmonized Tariff Code	8482.10.50.28
Noun	Bearing
Keyword String	Angular Contact
Manufacturer URL	http://www.skf.com
Weight / LBS	73.19338
Bore	11.024 Inch 280 Millimeter
Outside Diameter	15.335 Inch 389.5 Millimeter
Width	3.622 Inch 92 Millimeter
d_1	324.65 mm
D_1	364.45 mm
$r_{1,2}$ min.	2.1 mm
d_a min.	285 mm
D_a max.	362 mm
r_a max.	2.1 mm
Basic dynamic load rating C	403 kN
Basic static load rating C_0	750 kN
Fatigue load limit P_u	18 kN
Calculation factor k_r	0.095
Calculation factor e	0.86
Calculation factor X	0.62
Calculation factor Y_0	0.63
Calculation factor Y_1	0.73
Calculation factor Y_2	1.17
Mass bearing	33.2 kg